

NOTES:

1. CAST-IN-PLACE CONCRETE BASE MAY BE USED. CAST-IN-PLACE CONCRETE TO BE TYPE 50 25MPa IN 28 DAYS. CAST-IN-PLACE CONC. BASE TO BE MIN. 1700x1700x200mm THICK WITH 10M BARS AT 300mm SPACING EACH WAY.
2. PRECAST RINGS, CONES AND BARRELS TO MEET CURRENT ASTM C478 STANDARDS. STORM MH JOINTS TO BE SEALED WITH CEMENT MORTAR, OR CONFINED O-RING GASKET. SANITARY MH JOINTS TO BE SEALED WITH A CONFINED O-RING GASKET, ASTM C445. AND MORTOR CONNECTION OF PIPES TO MH TO BE A MANUFACTURED SEAL
3. INLET AND OUTLET PIPES TO BE GROUTED FLUSH WITH WALL. CHANNELING AND BENCHING TO BE FINISHED TO TROWEL SMOOTHNESS.
4. SAFETY STEP SPACING TO BE EQUALLY SPACED AT A MAX. OF 410mm APART TO WITHIN 300mm BELOW COVER AND TO WITHIN 600mm OF THE BASE OR BENCHING. STEPS TO BE EPOXY COATED EXTRUDED ALUMINUM OR GALVANIZED METAL.
5. PRECAST INLINE TEE MH'S ARE ACCEPTABLE FOR SEWERS 900mm Ø AND LARGER. CONCRETE BEDDING REQUIRED TO SPRINGLINE OF MANHOLE TEE.
6. NF-39 FRAME AND COVER (No.146) IN LANDSCAPED AREAS. NF-80 FRAME AND COVER IN HARD SURFACE AREAS. NF-90 GASKETED FRAME AND COVER AT SAGS. NF-39 SLOTTED (No.112) ON CBMH IN HARD SURFACED AREAS. NF-38 SLOTTED (No.112) ON CBMH IN LANDSCAPED AREAS.
7. SLAB TOP TO BE USED WHERE RIM TO INVERT DISTANCE IS LESS THAN 2.5 METRES.

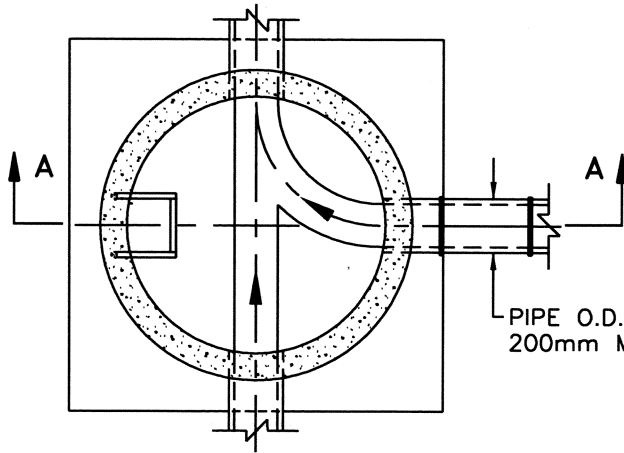
SECTION A - A

REVISIONS	
Date	Details
98-06-18	DESIGN STANDARD UPDATE



Town of Whitecourt	
STANDARD 1200mm	
MANHOLE	
APPROVED:	STD. DWG. No.
SCALE: N.T.S.	3-01
DATE: JANUARY, 1996	

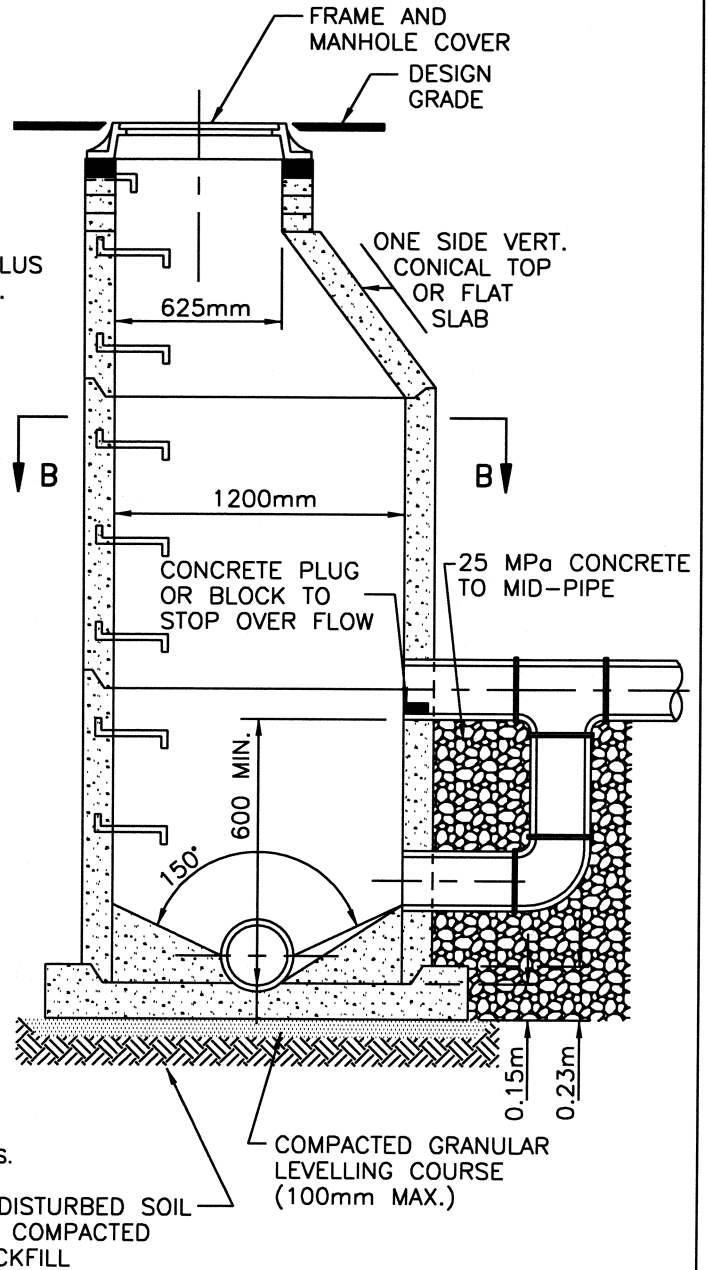
ACH 98-06-22 3-01.DWG



SECTION B - B

NOTES:

1. CAST-IN-PLACE CONCRETE BASE MAY BE USED. CAST-IN-PLACE CONCRETE TO BE TYPE 50 25MPa IN 28 DAYS. CAST-IN-PLACE CONC. BASE TO BE MIN. 1700x1700x200mm THICK WITH 10M BARS AT 300mm SPACING EACH WAY.
2. PRECAST RINGS, CONES AND BARRELS TO MEET CURRENT ASTM C478 STANDARDS. STORM MH JOINTS TO BE SEALED WITH CEMENT MORTAR, OR CONFINED O-RING GASKET. SANITARY MH JOINTS TO BE SEALED WITH A CONFINED O-RING GASKET, ASTM C445. AND MORTOR CONNECTION OF PIPES TO MH TO BE A MANUFACTURED SEAL.
3. INLET AND OUTLET PIPES TO BE GROUTED FLUSH WITH WALL. CHANNELING AND BENCHING TO BE FINISHED TO TROWEL SMOOTHNESS.
4. SAFETY STEP SPACING TO BE EQUALLY SPACED AT A MAX. OF 410mm APART TO WITHIN 300mm BELOW COVER AND TO WITHIN 600mm OF THE BASE OR BENCHING. STEPS TO BE EPOXY COATED EXTRUDED ALUMINUM OR GALVANIZED METAL.
5. PRECAST INLINE TEE MH's ARE ACCEPTABLE FOR SEWERS 900mm Ø AND LARGER. CONCRETE BEDDING REQUIRED TO SPRINGLINE OF MANHOLE TEE.
6. NF-39 FRAME AND COVER (No.146) IN LANDSCAPED AREAS. NF-80 FRAME AND COVER IN HARD SURFACE AREAS. NF-90 GASKETED FRAME AND COVER AT SAGS.
7. SLAB TOP TO BE USED WHERE RIM TO INVERT DISTANCE IS LESS THAN 2.5 METRES.

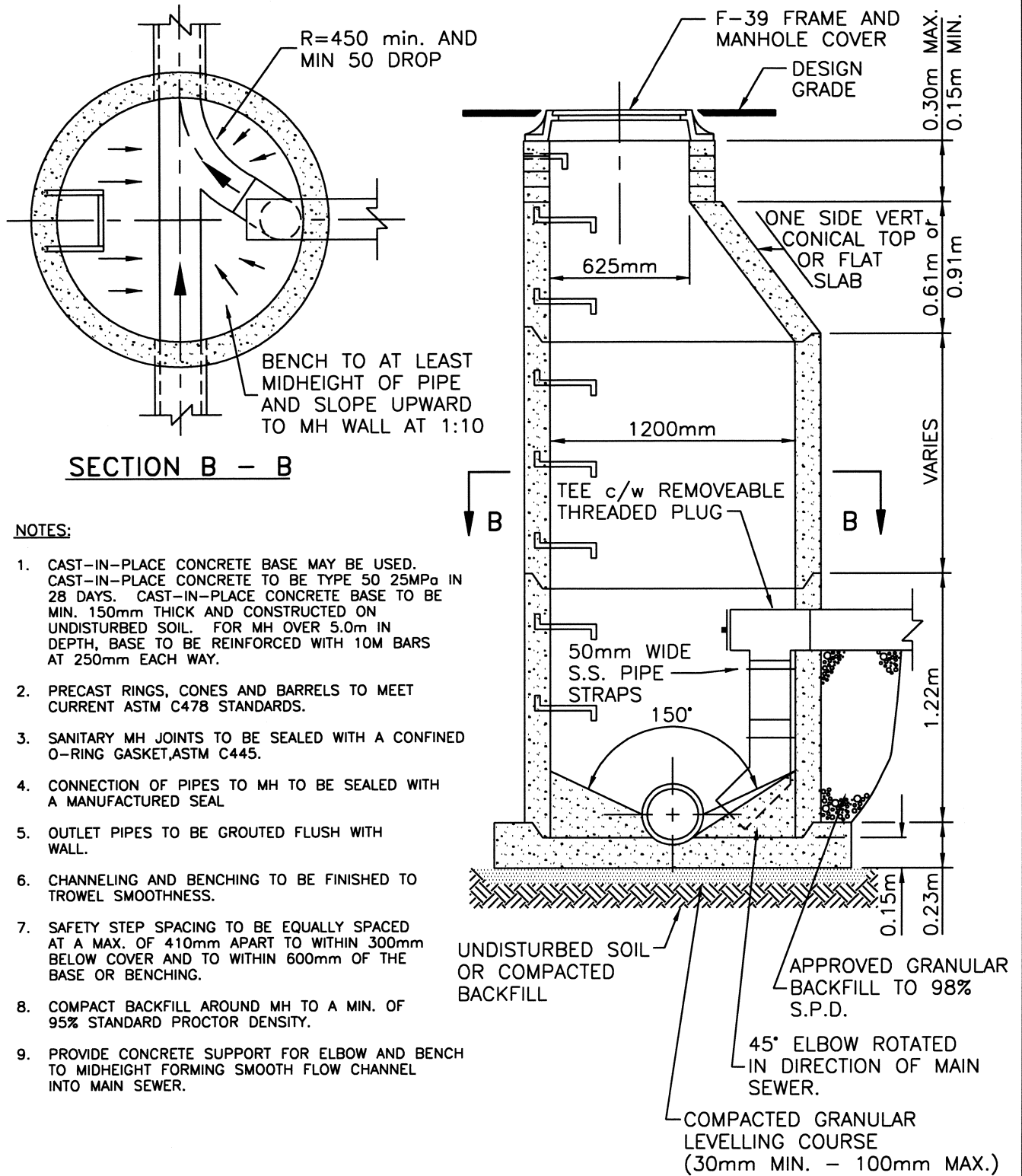


SECTION A - A

REVISIONS	
Date	Details
98-06-18	DESIGN STANDARD UPDATE



Town of Whitecourt	
TYPICAL EXTERNAL DROP MANHOLE	
APPROVED:	STD. DWG. No.
SCALE: N.T.S.	3-02
DATE: JANUARY, 1996	



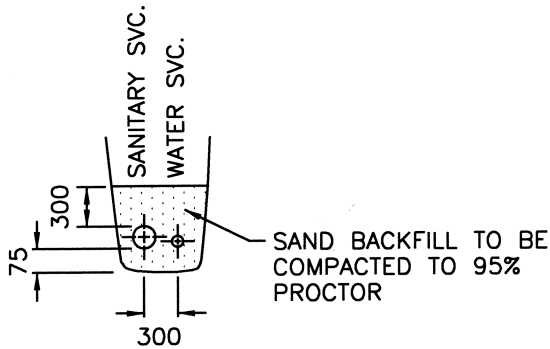
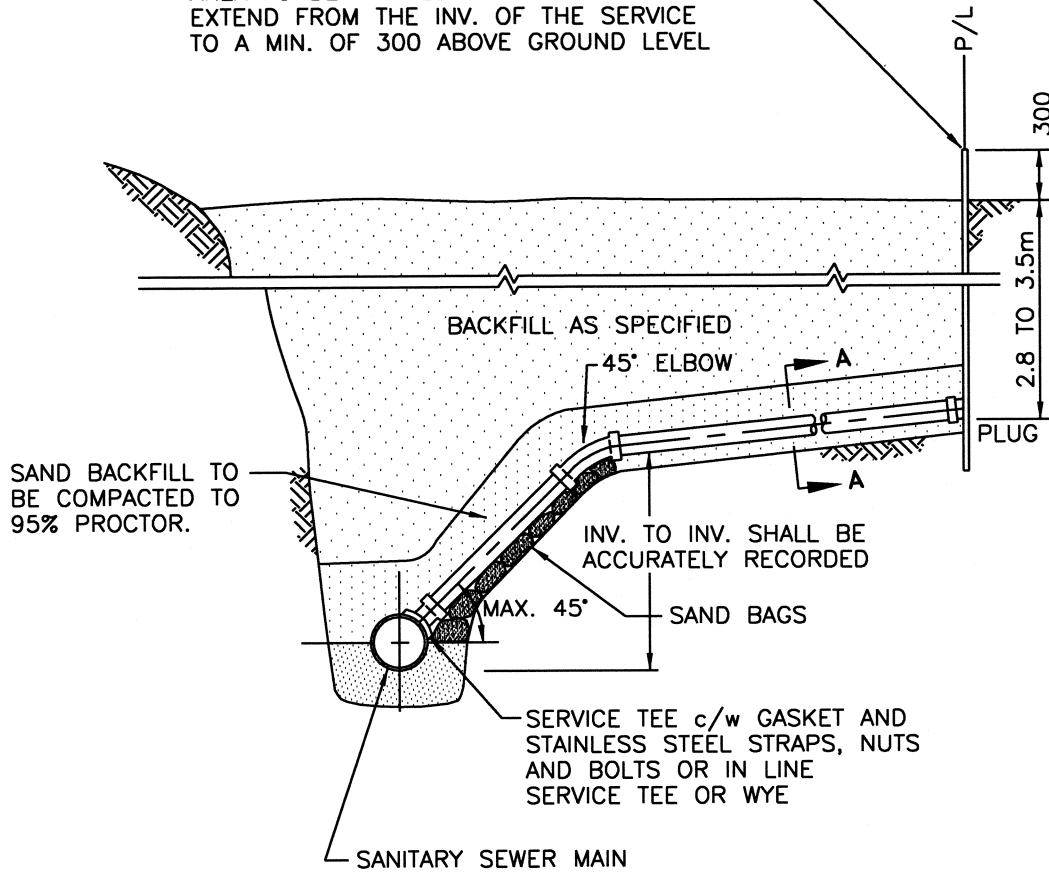
REVISIONS	
Date	Details
98-06-18	DESIGN STANDARD UPDATE



Town of Whitecourt
TYPICAL INTERNAL
DROP MANHOLE

APPROVED:	STD. DWG. No.
SCALE: N.T.S.	3-03
DATE: JANUARY, 1996	

50 x 100 WOODEN STAKE. TOP EXPOSED AREA TO BE PAINTED BROWN AND EXTEND FROM THE INV. OF THE SERVICE TO A MIN. OF 300 ABOVE GROUND LEVEL



NOTES:

1. MIN. SLOPE IS 1% FOR 150mm SERVICE AND 2% FOR 100mm SERVICE.
2. SERVICE CONNECTIONS SHALL BE MINIMUM 100mm DIA. SDR 35 PVC.
3. TOWN TO INSPECT ALL RISER INSTALLATIONS PRIOR TO BACKFILLING.
4. SEE ALSO WATER AND SEWER SERVICE LINE LOCATION DETAIL SHEET.

REVISIONS	
Date	Details
98-06-18	DESIGN STANDARD UPDATE



Town of Whitecourt	
DEEP SANITARY SERVICE CONNECTION	
APPROVED:	STD. DWG. No.
SCALE: N.T.S.	3-04
DATE: JANUARY, 1996	

ACH 98-06-22 3-04.DWG